

2

1

REVISIONS				
ZONE	REV	DESCRIPTION	DATE	APPROVED
-	-	ORIGINAL	28SEP2020	MDB

TABLE OF CONTENTS

PAGE	DESCRIPTION
ATTN1	RF INPUT & FIRST ATTENUATOR
ATTN2	RF OUTPUT & SECOND ATTENUATOR
SWITCHING_PWR	SWITCH LOGIC & VOLTAGE REGULATOR
CONNECT	EXTERNAL COMPONENT CONNECTIONS
ATTEN	ATTENUATOR LINEARITY

		RF ATTENUATOR		
		TABLE OF CONTENTS		
WA4KFZ	A	FSCM NO.	DWG NO.	REV0
28SEP2020	SCALE		TOC	

2

1

B

B

A

A

2

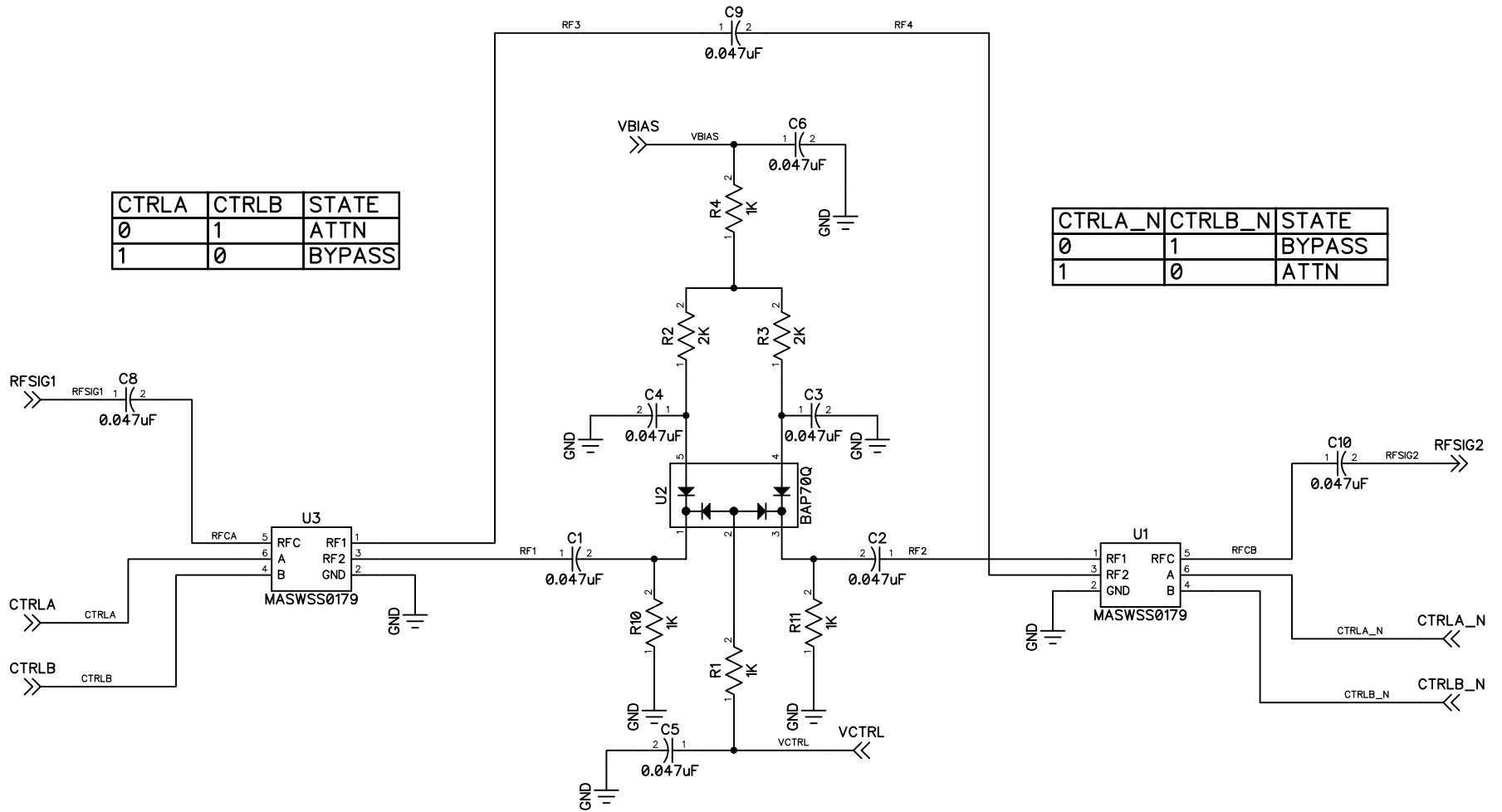
1

B

B

CTRLA	CTRLB	STATE
0	1	ATTN
1	0	BYPASS

CTRLA_N	CTRLB_N	STATE
0	1	BYPASS
1	0	ATTN



A

A

MASWSS0179

A	B	RF
0	1	RF2
1	0	RF1

RF ATTENUATOR

WA4KFZ

A

FSCM NO.

DWG NO.

REV0

28SEP2020

SCALE

ATTN1

2

1

2

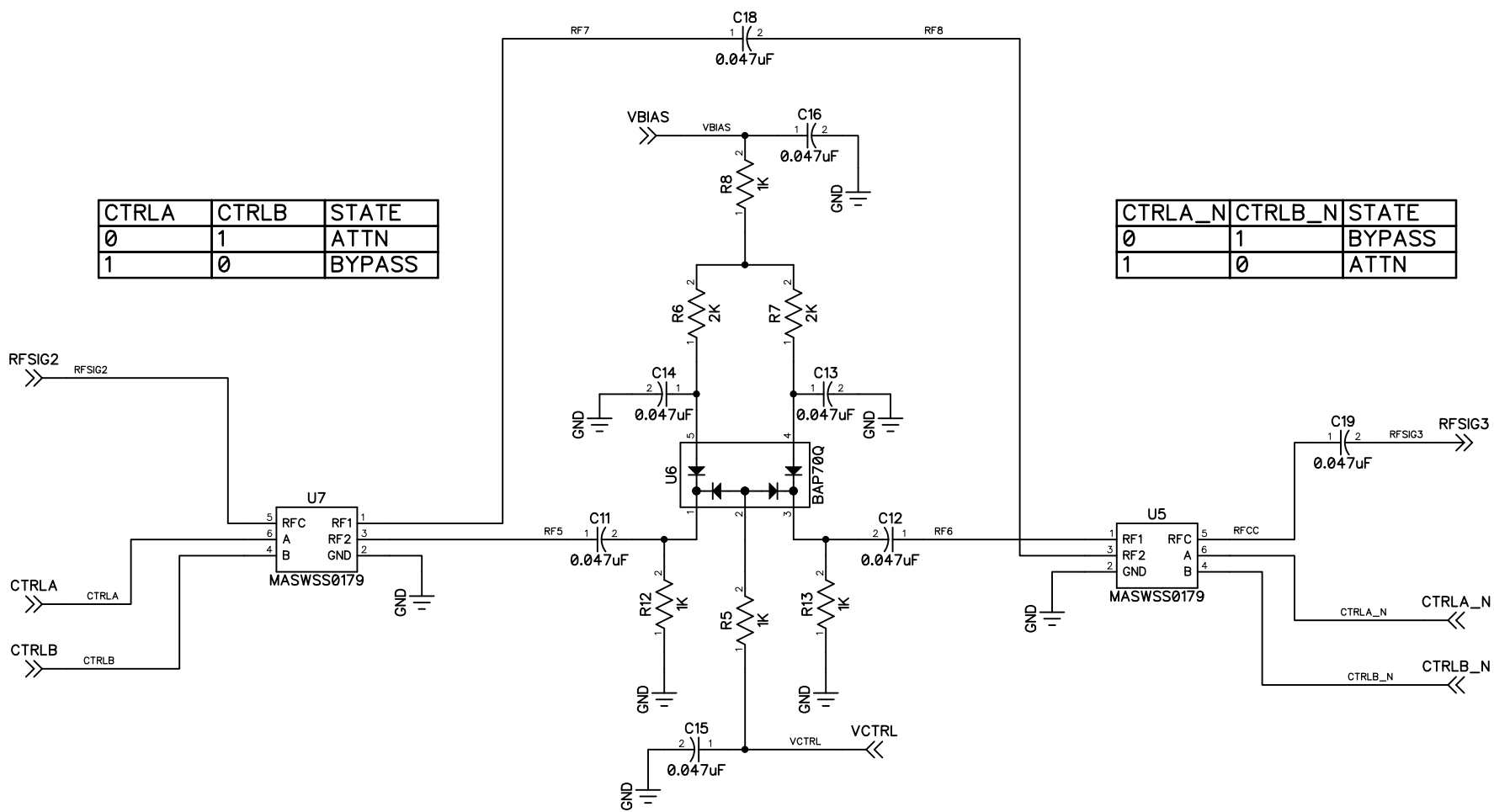
1

B

B

CTRLA	CTRLB	STATE
0	1	ATTN
1	0	BYPASS

CTRLA_N	CTRLB_N	STATE
0	1	BYPASS
1	0	ATTN



A

A

MASWSS0179

A	B	RF
0	1	RF2
1	0	RF1

RF ATTENUATOR

WA4KFZ

A

FSCM NO.

DWG NO.

REV0

28SEP2020

SCALE

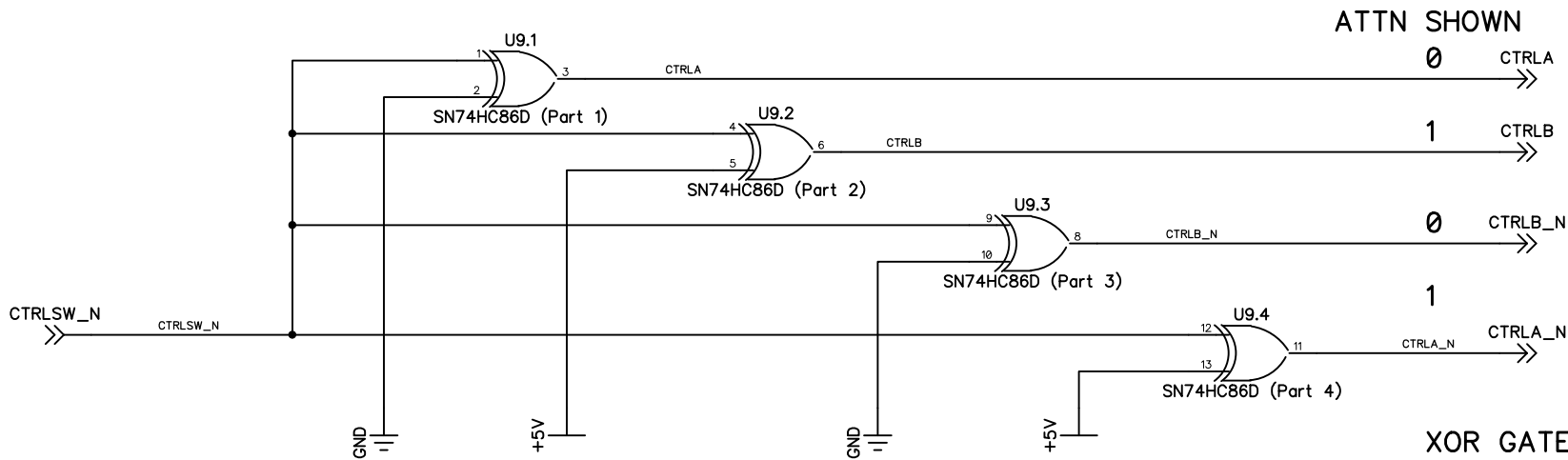
ATTN2

2

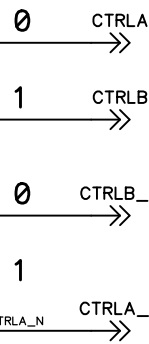
1

2

1



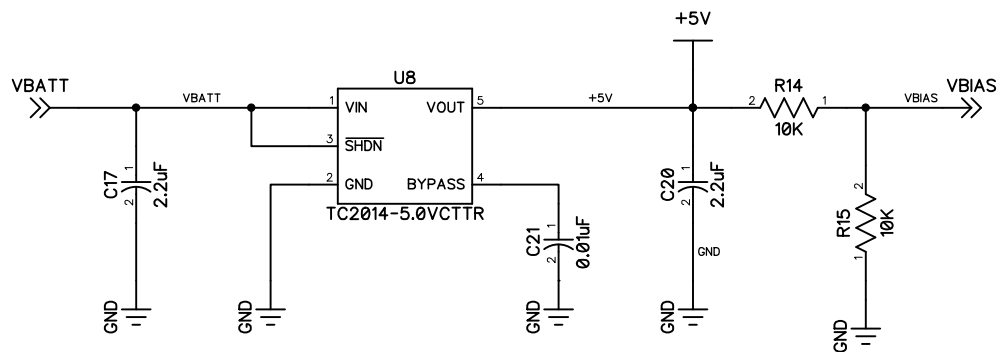
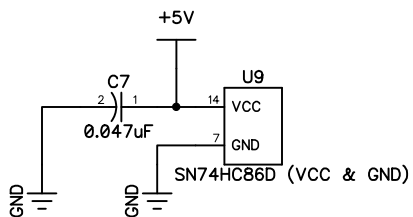
ATTN SHOWN



CTRLSW_N	PINS 2,10	PINS 5,13	STATE
0	0	1	ATTN
0	0	1	ATTN
1	0	1	BYPASS
1	0	1	BYPASS

XOR GATE

A	B	Y
0	0	0
0	1	1
1	0	1
1	1	0



RF ATTENUATOR

WA4KFZ

A

FSCM NO.

DWG NO.

REV0

28SEP2020

SCALE

SWITCHING\_PWR

2

1

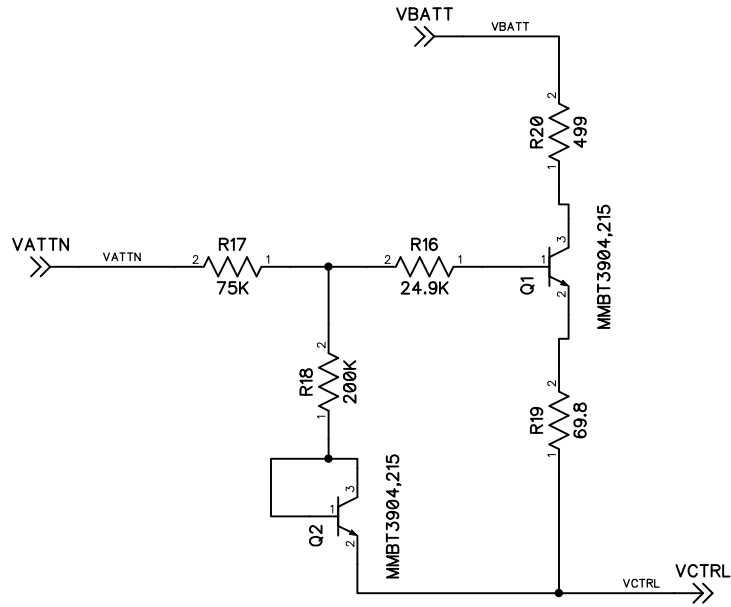
2

1

B

B

ATTN. POT.



A

A

RF ATTENUATOR

WA4KFZ

A

FSCM NO.

DWG NO.

REV0

28SEP2020

SCALE

ATTEN

2

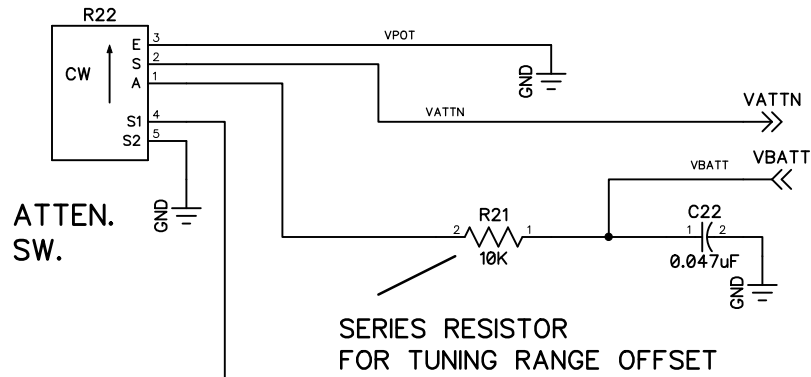
1

2

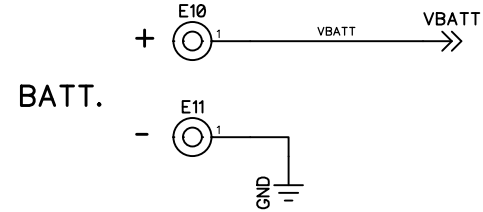
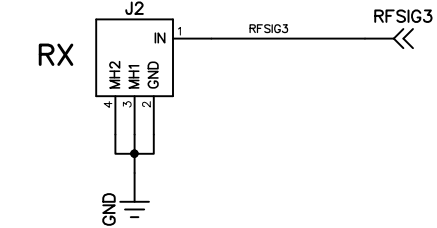
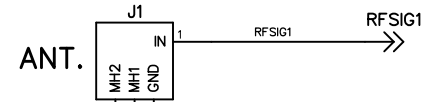
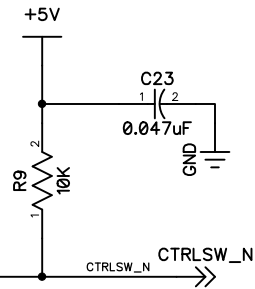
1

\*OFF\* -> BYPASS MODE  
CW -> DECREASE ATTN.

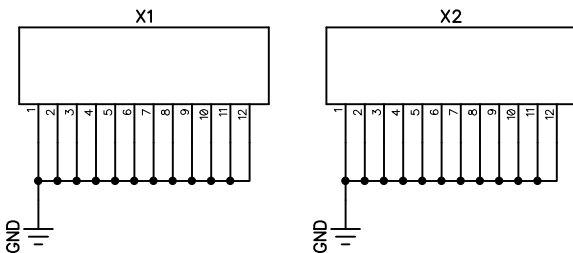
ATTEN.  
POT.



ATTEN.  
SW.



SHIELDS



RF ATTENUATOR

WA4KFZ

A

FSCM NO.

DWG NO.

REV0

28SEP2020

SCALE

CONNECT

2

1

B

B

A

A